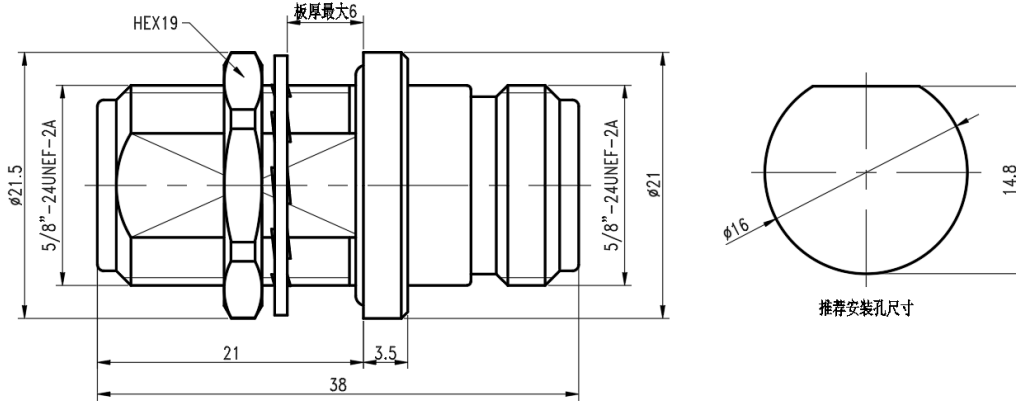




N Female to N Female, Adapter, RA18N01YSH DC-18GHz, Bulkhead

Dimensions(mm) Tolerance±1%



Electrical & Environmental

Frequency Range	DC-18GHz	Impedance	50 ohm
VSWR	1.15 max	Insertion Loss	0.20dB max $\leq 0.1\sqrt{f(\text{GHz})}$ dB

Mechanical & Product Information

Product Number	RA18N01YSH, JP-Grade, Sealing ring	Connector	N Female to N Female
Connector Body	Passivated stainless steel	Shape/Mounting	Straight, Bulkhead
Center Contact	Gold plated beryllium copper	Insulator	PEI
Dimension	38(L)mm	Net Weight	-

Typical Test Data

