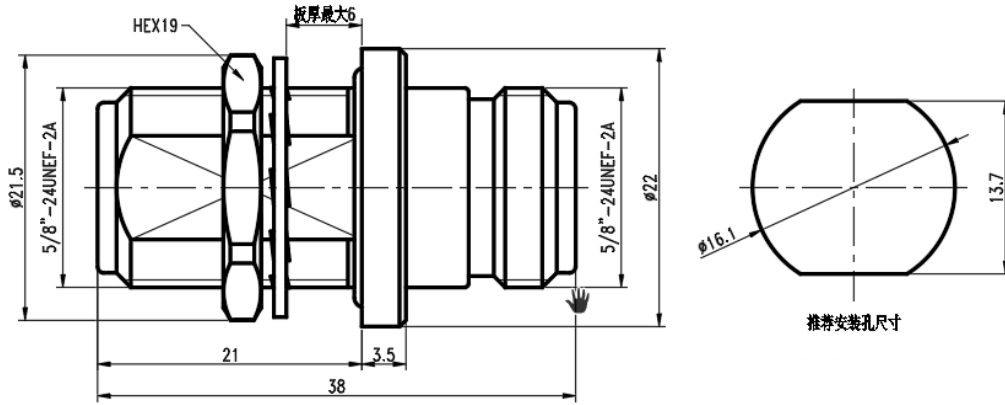


## N Female to N Female, Adapter, RA18N01YS-2 DC-18GHz, Straight, Bulkhead

### Dimensions(mm) Tolerance $\pm 1\%$



### Electrical & Environmental

Frequency Range	DC-18GHz	Impedance	50 ohm
VSWR	1.15 max	Operating Temp	-55°C to +165°C

### Mechanical & Product Information

Product Number	RA18N01YS-2, JP-Grade, Sealing ring	Connector	N Female to N Female
Connector Body	Passivated stainless steel 316F	Shape/Mounting	Straight, Bulkhead
Center Contact	1.27um gold plated beryllium copper	Insulator	PEI

