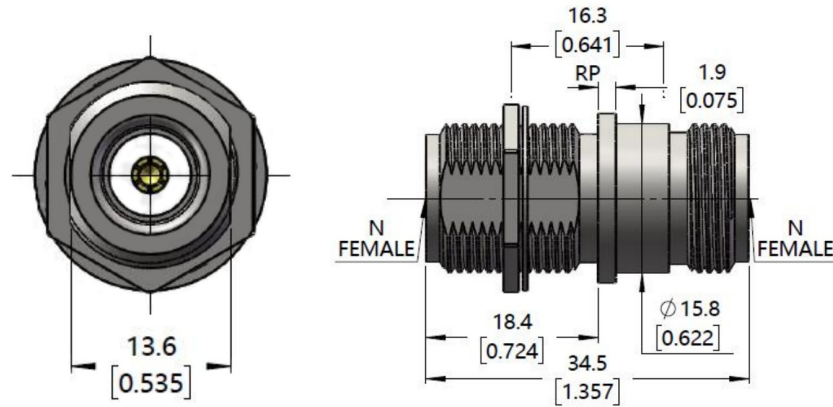




## N Female to N Female, Adapter, RA18N01Y2 DC-18GHz, Straight, Bulkhead

### Dimensions(mm) Tolerance $\pm 1\%$



### Electrical & Environmental

Frequency Range	DC-18GHz	Impedance	50 ohm
VSWR	1.15 max	Operating Temp	-55°C to +165°C
Insertion Loss	0.17dB max		

### Mechanical & Product Information

Product Number	RA18N01Y2, JP-Grade	Connector	N Female to N Female
Connector Body	Passivated stainless steel	Shape/Mounting	Straight, Bulkhead
Center Contact	Gold plated beryllium copper	Insulator	PEI