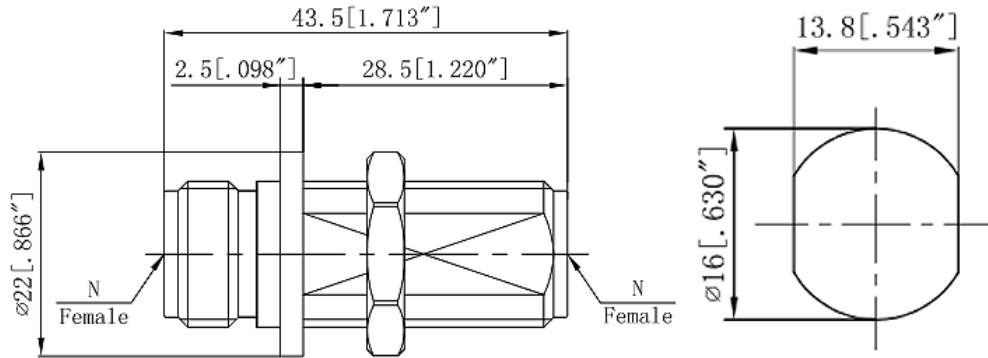




N Female to N Female, Adapter, RA18N01Y-TBA DC-18GHz, Straight, Bulkhead

Dimensions(mm) Tolerance±1%



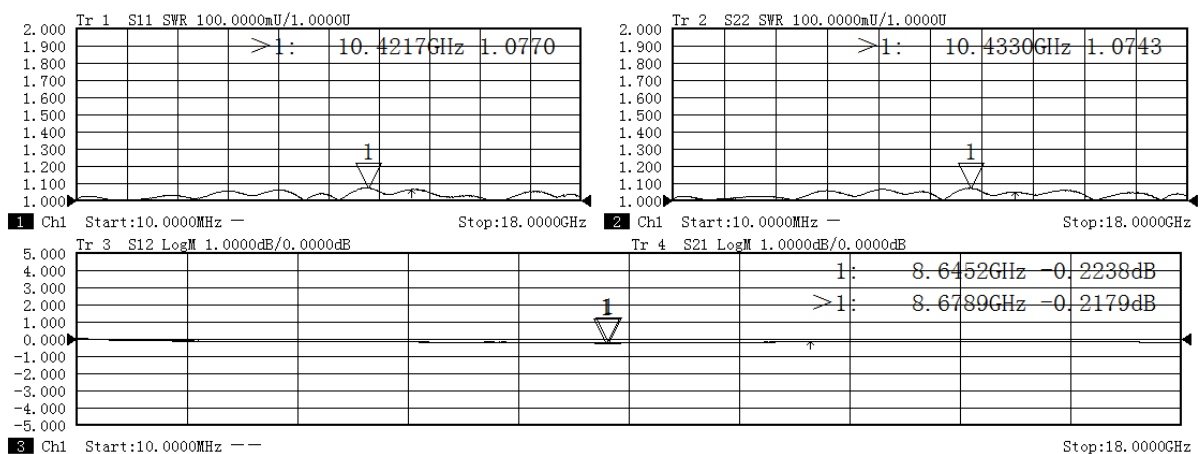
Electrical & Environmental

Frequency Range	DC-18GHz	Impedance	50 ohm
VSWR	1.25 max	Operating Temp	-55°C to +165°C

Mechanical & Product Information

Product Number	RA18N01Y-TBA, E-Grade	Connector	N Female to N Female
Connector Body	Ternary alloy plated brass	Shape/Mounting	Straight, Bulkhead
Center Contact	Gold plated beryllium copper	Insulator	PTFE

Typical Test Data



	SweepType	Start (GHz)	Stop (GHz)	Points	IF BW (Hz)	SweepTime (s)	Port1, 2Power (dBm)
Ch1	LIN_SWEEP	0.010000000	18.000000000	1601	1000	1.495297	-5.00, -5.00