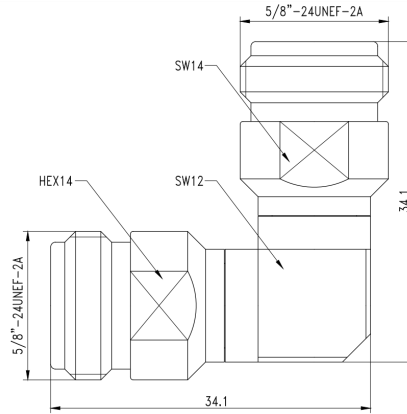




N Female to N Female, Adapter, RA18N01W DC-18GHz, Right Angle

Dimensions(mm) Tolerance±1%



Electrical & Environmental

Frequency Range	DC-18GHz	Impedance	50 ohm
VSWR	1.15 max	Operating Temp	-55°C to +165°C
Insertion Loss	0.20dB max $\leq 0.06\sqrt{f(\text{GHz})}$ dB		

Mechanical & Product Information

Product Number	RA18N01W, JP-Grade	Connector	N Female to N Female
Connector Body	Passivated stainless steel	Shape/Mounting	Right Angle, None
Center Contact	Gold plated beryllium copper	Insulator	PEI

Typical Test Data

