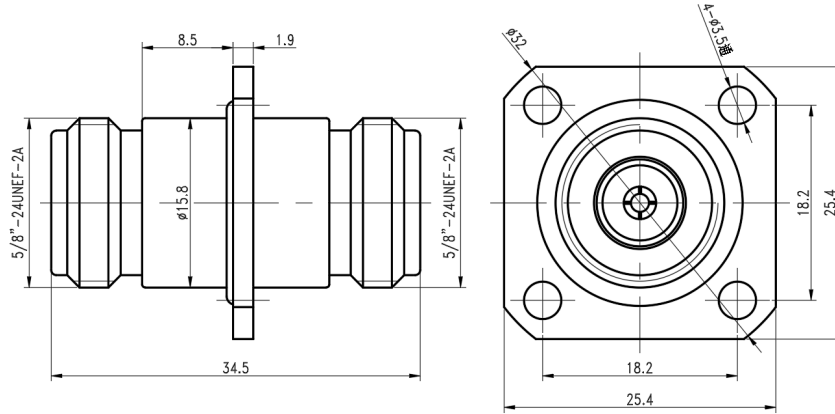




## N Female to N Female, Adapter, RA18N01FSH DC-18GHz, 4 hole flange

### Dimensions(mm) Tolerance±1%



### Electrical & Environmental

Frequency Range	DC-18GHz	Impedance	50 ohm
VSWR	1.2 max	Insertion Loss	0.30dB max $\leq 0.1\sqrt{f(\text{GHz})}$ dB

### Mechanical & Product Information

Product Number	RA18N01FSH, JP-Grade, Sealing ring	Connector	N Female to N Female
Connector Body	Passivated stainless steel	Shape/Mounting	Straight, 4 hole flange
Center Contact	Gold plated beryllium copper	Insulator	PEI
Dimension	34.5(L)mm	Net Weight	-

### Typical Test Data

