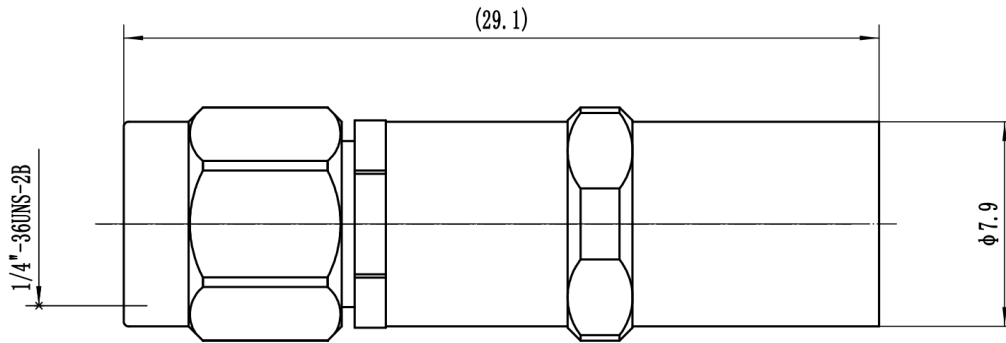




BMA Female to 3.5mm Male, Adapter, RA18B02 DC-18GHz, Straight

Dimensions(mm) Tolerance $\pm 1\%$



Electrical & Environmental

Frequency Range	DC-18GHz	Impedance	50 ohm
VSWR	1.2 max	Operating Temp	-55°C to +165°C

Mechanical & Product Information

Product Number	RA18B02, H-Grade	Connector	BMA Female to 3.5mm Male
Connector Body	Passivated stainless steel 303F	Shape/Mounting	Straight, None
Center Contact	Gold plated beryllium copper	Insulator	PEI