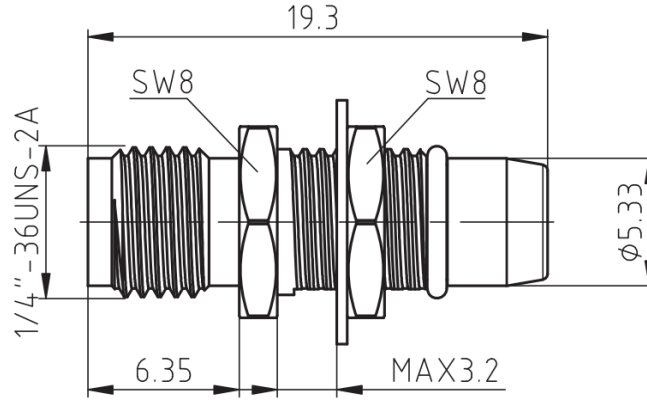


SMA Female to BMA Male, Adapter, RA12S02Y DC-12GHz, Straight, Bulkhead

Dimensions(mm) Tolerance $\pm 1\%$



Electrical & Environmental

Frequency Range	DC-12GHz	Impedance	50 ohm
VSWR	1.25 max	Operating Temp	-55°C to +165°C

Mechanical & Product Information

Product Number	RA12S02Y, E-Grade	Connector	SMA Female to BMA Male
Connector Body	Ternary alloy plated brass/BeCu	Shape/Mounting	Straight, Bulkhead
Center Contact	BeCu/Brass,Gold plating	Insulator	PTFE