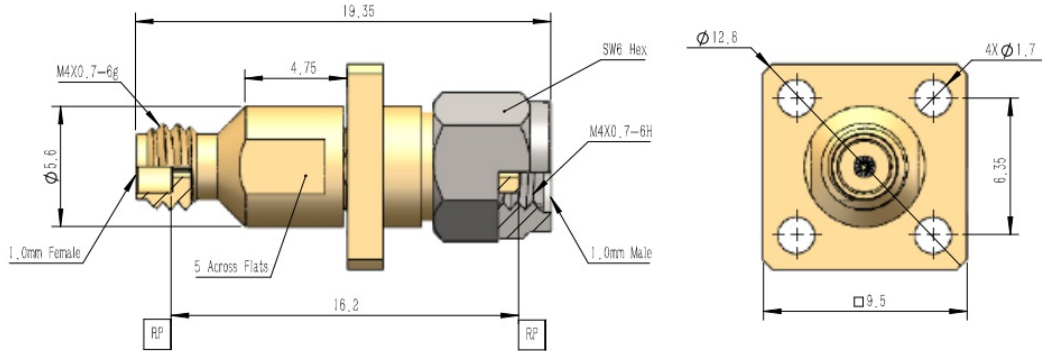


1.0mm Female to 1.0mm Male, Adapter, RA11002F DC-110GHz, Straight, 4 hole flange

Dimensions(mm) Tolerance±1%



Electrical & Environmental

Frequency Range	DC-110GHz	Impedance	50 ohm
VSWR	1.35 max	Operating Temp	-55°C to +165°C
Insertion Loss	0.50dB max		

Mechanical & Product Information

Product Number	RA11002F, H-Grade	Connector	1.0mm Female to 1.0mm Male
Connector Body	Passivated stainless steel & BeCu	Shape/Mounting	Straight, 4 hole flange
Center Contact	Gold plated beryllium copper	Insulator	CPS