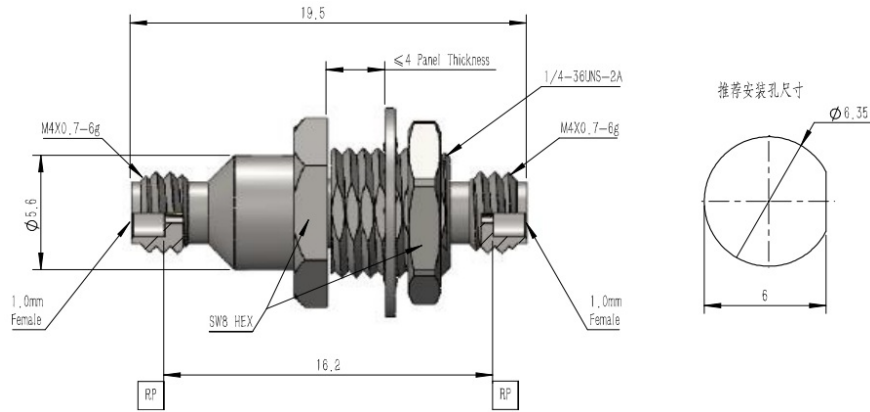




1.0mm Female to 1.0mm Female, Adapter, RA11001Y DC-110GHz, Straight, Bulkhead

Dimensions(mm) Tolerance±1%



Electrical & Environmental

Frequency Range	DC-110GHz	Impedance	50 ohm
VSWR	1.35 max	Operating Temp	-55°C to +165°C
Insertion Loss	0.50dB max		

Mechanical & Product Information

Product Number	RA11001Y, H-Grade	Connector	1.0mm Female to 1.0mm Female
Connector Body	Passivated stainless steel	Shape/Mounting	Straight, Bulkhead
Center Contact	Gold plated beryllium copper	Insulator	CPS