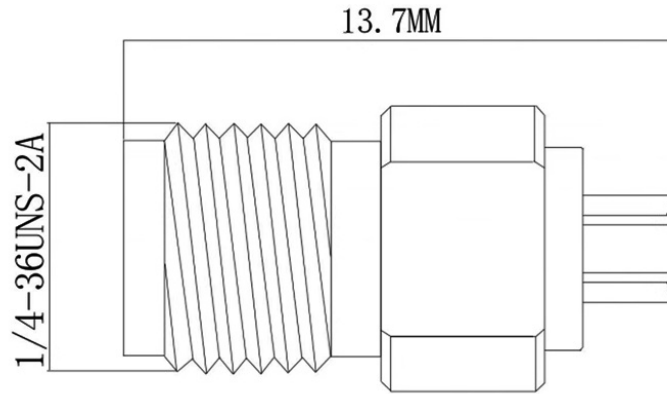




SMA Female to IPEX Female, Adapter, RA06S29-1-NBA DC-6GHz, Straight

Dimensions(mm) Tolerance $\pm 1\%$



Electrical & Environmental

Frequency Range	DC-6GHz	Impedance	50 ohm
VSWR	1.2 max	Operating Temp	-55°C to +125°C
Insertion Loss	0.25dB max		

Mechanical & Product Information

Product Number	RA06S29-1-NBA, E-Grade	Connector	SMA Female to IPEX Female
Connector Body	Nickel plated brass	Shape/Mounting	Straight, None
Center Contact	Gold plated beryllium copper	Insulator	PTFE