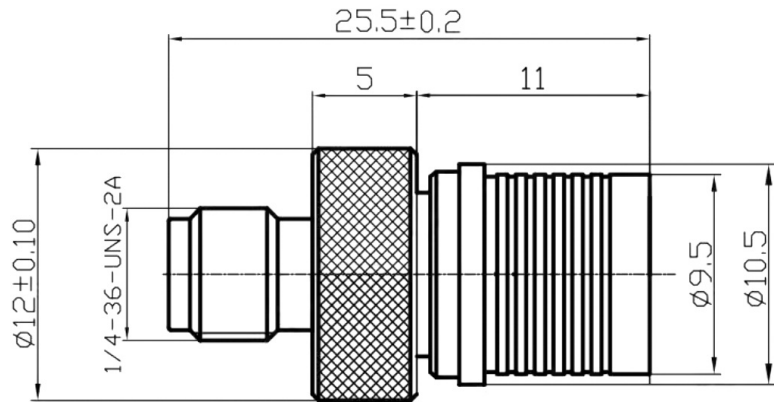




SMA Female to QMA Male, Adapter, RA06S28-NBA
DC-6GHz, Straight

Dimensions(mm) Tolerance $\pm 1\%$



Electrical & Environmental

Frequency Range	DC-6GHz	Impedance	50 ohm
VSWR	1.25 max	Operating Temp	-55°C to +155°C

Mechanical & Product Information

Product Number	RA06S28-NBA, E-Grade	Connector	SMA Female to QMA Male
Connector Body	Nickel plated brass	Shape/Mounting	Straight, None
Center Contact	Gold plated phosphor bronze	Insulator	PTFE