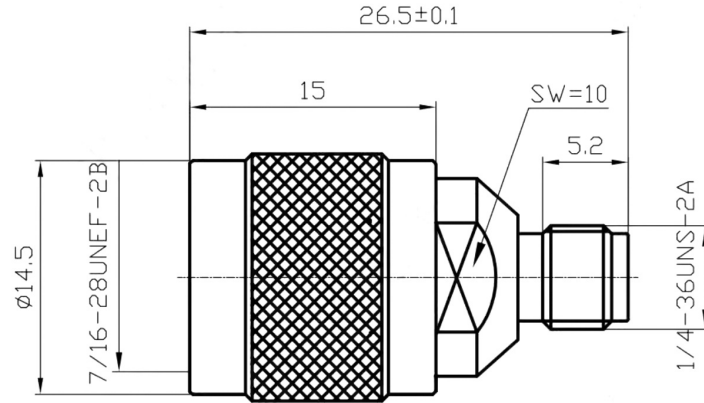




## SMA Female to TNC Male, Adapter, RA06S24-NBA DC-6GHz, Straight

### Dimensions(mm) Tolerance $\pm 1\%$



### Electrical & Environmental

<b>Frequency Range</b>	DC-6GHz	<b>Impedance</b>	50 ohm
<b>VSWR</b>	1.25 max	<b>Operating Temp</b>	-45°C to +125°C

### Mechanical & Product Information

<b>Product Number</b>	RA06S24-NBA, E-Grade	<b>Connector</b>	SMA Female to TNC Male
<b>Connector Body</b>	Nickel plated brass	<b>Shape/Mounting</b>	Straight, None
<b>Center Contact</b>	Gold plated phosphor bronze	<b>Insulator</b>	PTFE