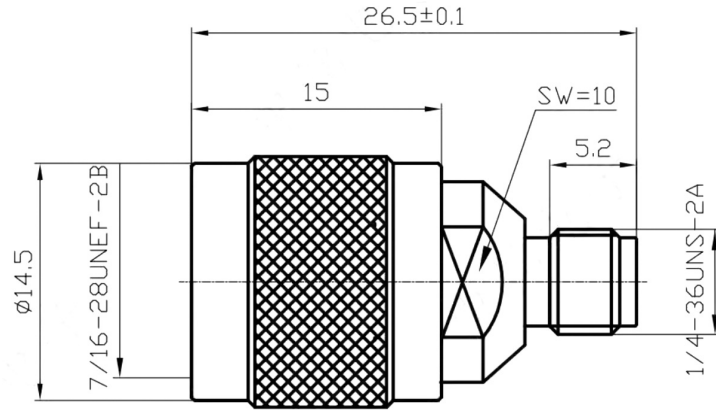




**RP-SMA Female to RP-TNC Male, Adapter, RA06S24-NBA-LR**  
DC-6GHz, Straight

**Dimensions(mm) Tolerance±1%**



**Electrical & Environmental**

<b>Frequency Range</b>	DC-6GHz	<b>Impedance</b>	50 ohm
<b>VSWR</b>	1.25 max	<b>Operating Temp</b>	-45°C to +125°C

**Mechanical & Product Information**

<b>Product Number</b>	RA06S24-NBA-LR, E-Grade	<b>Connector</b>	RP-SMA Female to RP-TNC Male
<b>Connector Body</b>	Nickel plated brass	<b>Shape/Mounting</b>	Straight, None
<b>Center Contact</b>	Gold plated phosphor bronze	<b>Insulator</b>	PTFE