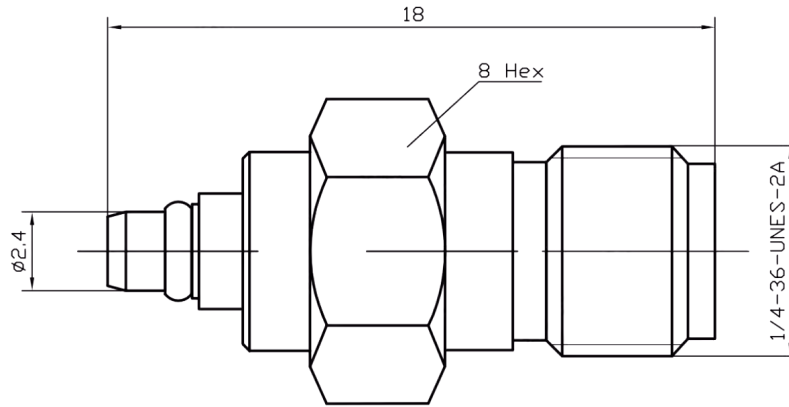




SMA Female to MMCX Male, Adapter, RA06S20 DC-6GHz, Straight

Dimensions(mm) Tolerance $\pm 1\%$



Electrical & Environmental

Frequency Range	DC-6GHz	Impedance	50 ohm
VSWR	1.15 max	Operating Temp	-45°C to +125°C
Insertion Loss	0.20dB max		

Mechanical & Product Information

Product Number	RA06S20, E-Grade	Connector	SMA Female to MMCX Male
Connector Body	Gold plated brass	Shape/Mounting	Straight, None
Center Contact	Gold plated beryllium copper	Insulator	PTFE

Typical Test Data

