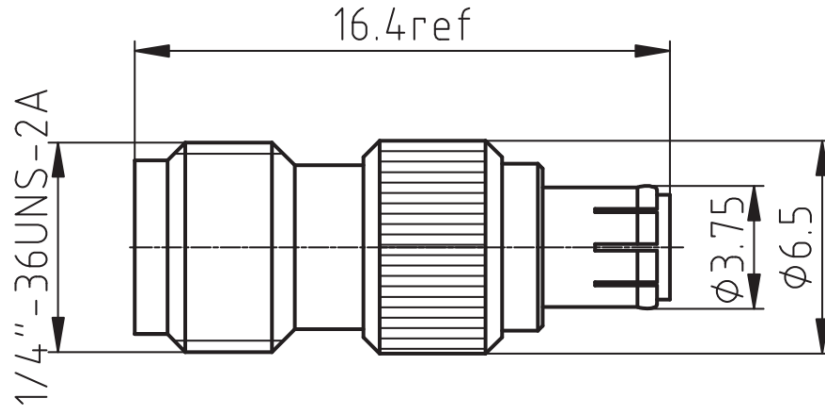


SMA Female to MFBX Male, Adapter, RA06S04 DC-6GHz, Straight

Dimensions(mm) Tolerance $\pm 1\%$



Electrical & Environmental

Frequency Range	DC-6GHz	Impedance	50 ohm
VSWR	1.25 max	Operating Temp	-55°C to +165°C

Mechanical & Product Information

Product Number	RA06S04, E-Grade	Connector	SMA Female to MFBX Male
Connector Body	Gold plated brass/BeCu	Shape/Mounting	Straight, None
Center Contact	BeCu/Brass,Gold plating	Insulator	PTFE

