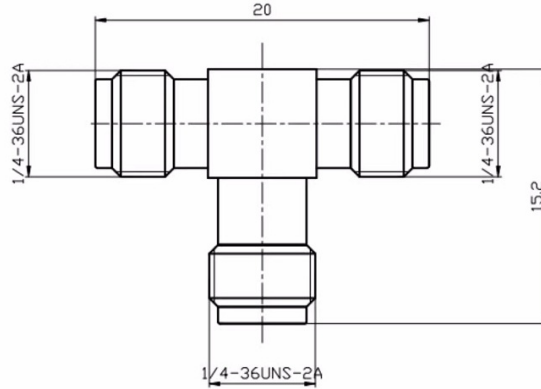




SMA Female to SMA Female, Adapter, RA06S01T-GBA DC-6GHz, Tee

Dimensions(mm) Tolerance $\pm 1\%$



Electrical & Environmental

Frequency Range	DC-6GHz	Impedance	50 ohm
VSWR	1.2 max	Operating Temp	-45°C to +125°C

Mechanical & Product Information

Product Number	RA06S01T-GBA, E-Grade	Connector	SMA Female to SMA Female
Connector Body	Gold plated brass	Shape/Mounting	Tee, None
Center Contact	Gold plated phosphor bronze	Insulator	PTFE