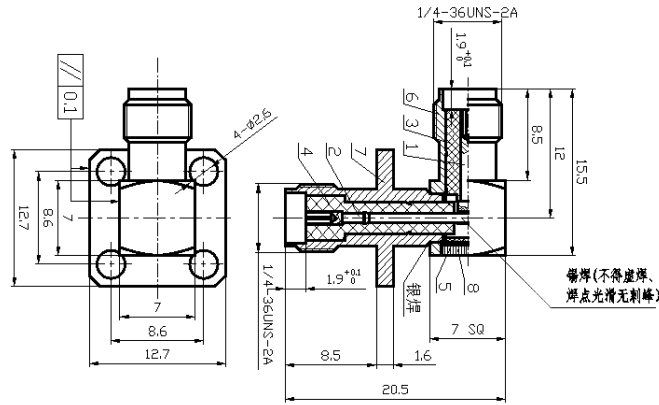




## SMA Female to SMA Female, Adapter, RA06S01FW-GBA DC-6GHz, Right Angle, 4 hole flange

### Dimensions(mm) Tolerance±1%



### Electrical & Environmental

Frequency Range	DC-6GHz	Impedance	50 ohm
VSWR	1.3 max	Operating Temp	-45°C to +125°C

### Mechanical & Product Information

Product Number	RA06S01FW-GBA, E-Grade	Connector	SMA Female to SMA Female
Connector Body	Gold plated brass	Shape/Mounting	Right Angle, 4 hole flange
Center Contact	Gold plated phosphor bronze	Insulator	PTFE

### Typical Test Data

