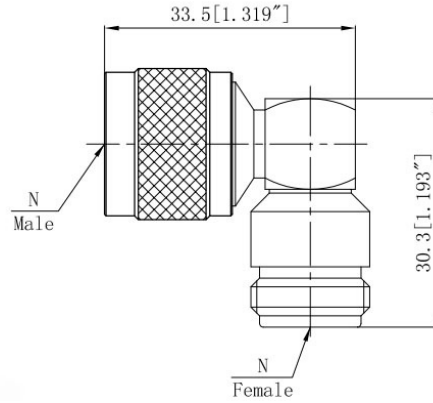




N Male to N Female, Adapter, RA06N03W-NBA DC-6GHz, Right Angle

Dimensions(mm) Tolerance±1%



Electrical & Environmental

Frequency Range	DC-6GHz	Impedance	50 ohm
VSWR	1.25 max	Operating Temp	-45°C to +125°C

Mechanical & Product Information

Product Number	RA06N03W-NBA, E-Grade	Connector	N Male to N Female
Connector Body	Nickel plated brass	Shape/Mounting	Right Angle, None
Center Contact	Gold plated phosphor bronze	Insulator	PTFE

Typical Test Data

