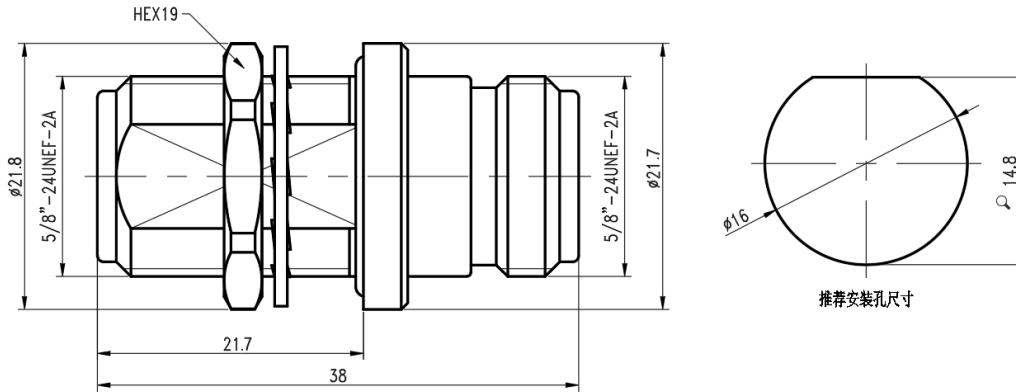




## N Female to N Female, Adapter, RA06N01YS-NBA DC-6GHz, Straight, Bulkhead

### Dimensions(mm) Tolerance $\pm 1\%$



### Electrical & Environmental

Frequency Range	DC-6GHz	Impedance	50 ohm
VSWR	1.25 max	Operating Temp	-45°C to +125°C

### Mechanical & Product Information

Product Number	RA06N01YS-NBA, E-Grade, Sealing ring	Connector	N Female to N Female
Connector Body	Nickel plated brass	Shape/Mounting	Straight, Bulkhead
Center Contact	Gold plated phosphor bronze	Insulator	PTFE