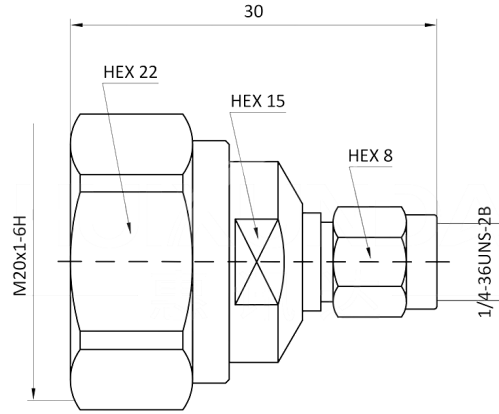


4.3-10 Male to SMA Male, Adapter, RA06D01 DC-6GHz, Straight

Dimensions(mm) Tolerance $\pm 1\%$



Electrical & Environmental

| | | | |
|------------------------|---------|-----------------------|-----------------|
| Frequency Range | DC-6GHz | Impedance | 50 ohm |
| VSWR | 1.2 max | Operating Temp | -55°C to +165°C |

Mechanical & Product Information

| | | | |
|-----------------------|--------------------------------|-----------------------|-------------------------|
| Product Number | RA06D01, E-Grade | Connector | 4.3-10 Male to SMA Male |
| Connector Body | Ternary alloy plated brass | Shape/Mounting | Straight, None |
| Center Contact | Silver plated beryllium copper | Insulator | PTFE |

