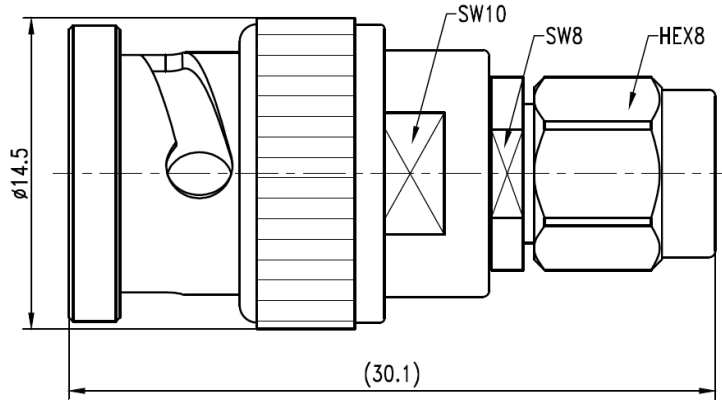




BNC Male to SMA Male, Adapter, RA06B06 DC-6GHz, Straight

Dimensions(mm) Tolerance $\pm 1\%$



Electrical & Environmental

Frequency Range	DC-6GHz	Impedance	50 ohm
VSWR	1.2 max	Operating Temp	-55°C to +165°C

Mechanical & Product Information

Product Number	RA06B06, JP-Grade	Connector	BNC Male to SMA Male
Connector Body	Passivated stainless steel 316F & BeCu	Shape/Mounting	Straight, None
Center Contact	1.27um gold plated beryllium copper	Insulator	PEI&PTFE

Typical Test Data

