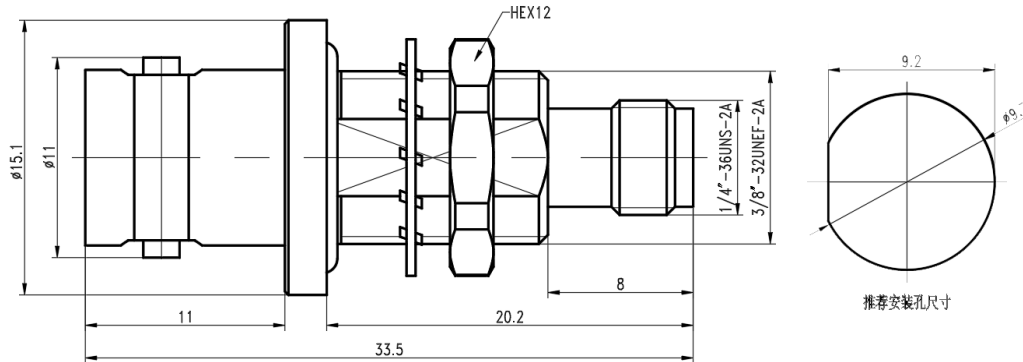


BNC Female to SMA Female, Adapter, RA06B05YS-NBA DC-6GHz, Straight, Bulkhead

Dimensions(mm) Tolerance±1%



Electrical & Environmental

Frequency Range	DC-6GHz	Impedance	50 ohm
VSWR	1.15 max	Operating Temp	-40°C to +155°C

Mechanical & Product Information

Product Number	RA06B05YS-NBA, JP-Grade, Sealing ring	Connector	BNC Female to SMA Female
Connector Body	Nickel plated brass	Shape/Mounting	Straight, Bulkhead
Center Contact	1.27um gold plated beryllium copper	Insulator	PTFE

