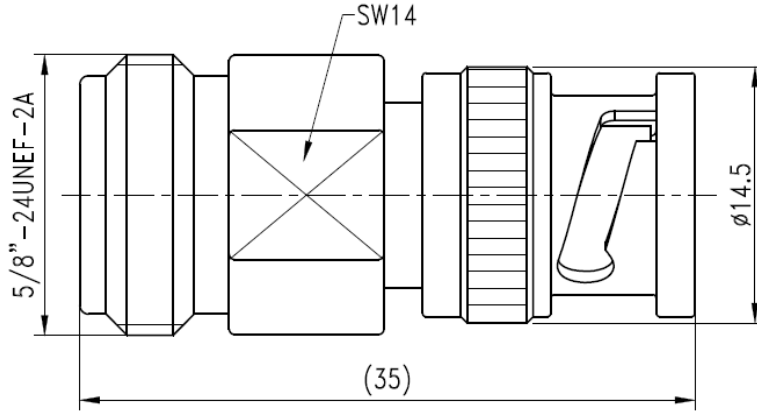




**BNC Male to N Female, Adapter, RA06B04**  
DC-6GHz, Straight

Dimensions(mm) Tolerance±1%



**Electrical & Environmental**

Frequency Range	DC-6GHz	Impedance	50 ohm
VSWR	1.15 max	Operating Temp	-55°C to +165°C

**Mechanical & Product Information**

Product Number	RA06B04, JP-Grade	Connector	BNC Male to N Female
Connector Body	Passivated stainless steel 316F & BeCu	Shape/Mounting	Straight, None
Center Contact	1.27um gold plated beryllium copper	Insulator	PEI

**Typical Test Data**

