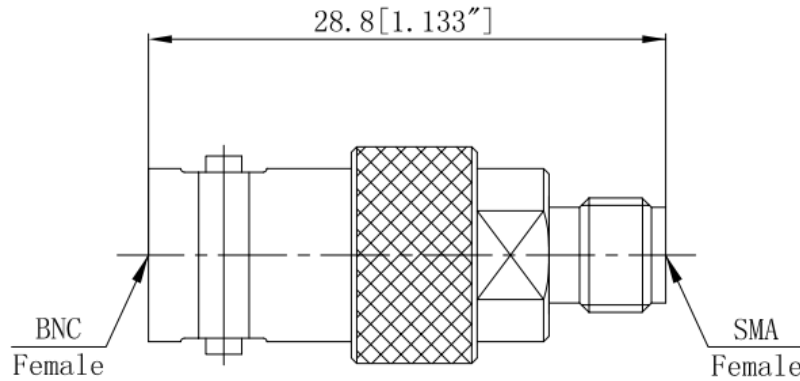




SMA Female to BNC Female, Adapter, RA04B07-NBA DC-4GHz, Straight

Dimensions(mm) Tolerance $\pm 1\%$



Electrical & Environmental

Frequency Range	DC-4GHz	Impedance	50 ohm
VSWR	1.15 max	Operating Temp	-55°C to +165°C

Mechanical & Product Information

Product Number	RA04B07-NBA, E-Grade	Connector	SMA Female to BNC Female
Connector Body	Nickel plated brass	Shape/Mounting	Straight, None
Center Contact	Gold plated beryllium copper	Insulator	PTFE

Typical Test Data

