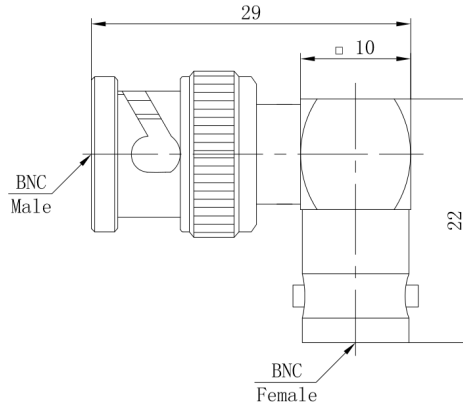




BNC Male to BNC Female, Adapter, RA04B03W-TBA DC-4GHz, Right Angle

Dimensions(mm) Tolerance $\pm 1\%$



Electrical & Environmental

Frequency Range	DC-4GHz	Impedance	50 ohm
VSWR	1.25 max	Operating Temp	-55°C to +165°C

Mechanical & Product Information

Product Number	RA04B03W-TBA, E-Grade	Connector	BNC Male to BNC Female
Connector Body	Ternary alloy plated brass	Shape/Mounting	Right Angle, None
Center Contact	Gold plated beryllium copper	Insulator	PTFE

Typical Test Data

