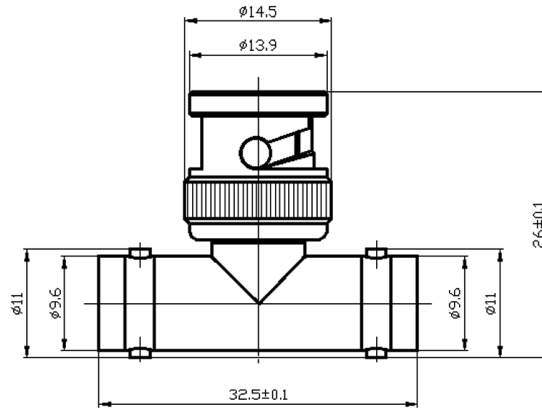




BNC Female to BNC Male, Adapter, RA04B02T-NBA DC-4GHz, Tee

Dimensions(mm) Tolerance $\pm 1\%$



Electrical & Environmental

Frequency Range	DC-4GHz	Impedance	50 ohm
VSWR	1.3 max	Operating Temp	-45°C to +125°C

Mechanical & Product Information

Product Number	RA04B02T-NBA, E-Grade	Connector	BNC Female to BNC Male
Connector Body	Nickel plated brass	Shape/Mounting	Tee, None
Center Contact	Gold plated phosphor bronze	Insulator	PTFE