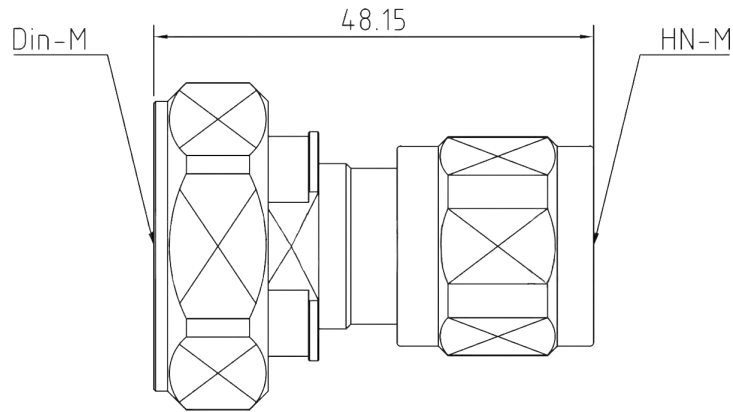




DIN Male to HN Male, Adapter, RA03HN08-NBA DC-3GHz, Straight

Dimensions(mm) Tolerance $\pm 1\%$



Electrical & Environmental

| | | | |
|------------------------|------------|-----------------------|-----------------|
| Frequency Range | DC-3GHz | Impedance | 50 ohm |
| VSWR | 1.2 max | Operating Temp | -65°C to +165°C |
| Insertion Loss | 0.25dB max | | |

Mechanical & Product Information

| | | | |
|-----------------------|--|-----------------------|---------------------|
| Product Number | RA03HN08-NBA, E-Grade | Connector | DIN Male to HN Male |
| Connector Body | Nickel plated brass/Ternary alloy plated brass | Shape/Mounting | Straight, None |
| Center Contact | Gold plated beryllium copper | Insulator | PTFE |