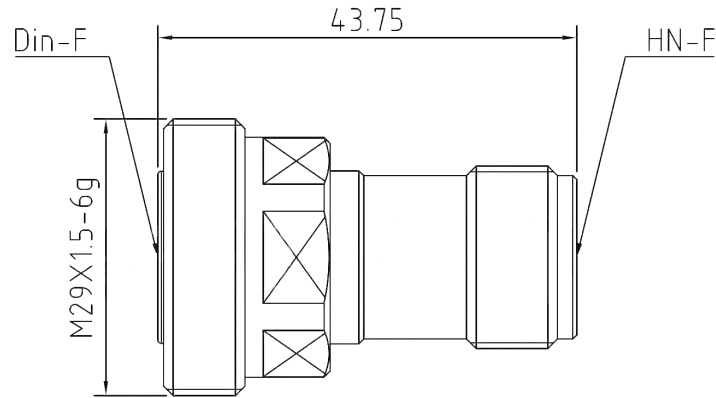




L29 Female to HN Female, Adapter, RA03HN07-NBA DC-3GHz, Straight

Dimensions(mm) Tolerance $\pm 1\%$



Electrical & Environmental

Frequency Range	DC-3GHz	Impedance	50 ohm
VSWR	1.2 max	Operating Temp	-65°C to +165°C
Insertion Loss	0.25dB max		

Mechanical & Product Information

Product Number	RA03HN07-NBA, E-Grade	Connector	L29 Female to HN Female
Connector Body	Nickel plated brass/Ternary alloy plated brass	Shape/Mounting	Straight, None
Center Contact	Gold plated beryllium copper	Insulator	PTFE