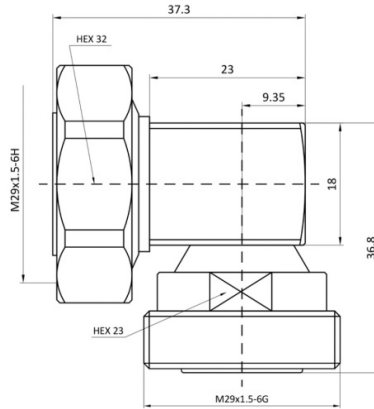




L29(DIN 7/16) Male to L29(DIN 7/16) Female, Adapter, RA03D01W DC-3GHz, Right Angle

Dimensions(mm) Tolerance $\pm 1\%$



Electrical & Environmental

Frequency Range	DC-3GHz	Impedance	50 ohm
VSWR	1.15 max	Operating Temp	-45°C to +85°C
PIM	-155dBc min		

Mechanical & Product Information

Product Number	RA03D01W, E-Grade	Connector	L29(DIN 7/16) Male to L29(DIN 7/16) Female
Connector Body	Ternary alloy plated brass	Shape/Mounting	Right Angle, None
Center Contact	Brass, Silver plating	Insulator	PTFE

